

AXIS Q1755 Network Camera

HDTV network camera with zoom and H.264.



- > HDTV image quality
- > Zoom and autofocus
- > Local storage
- > Power over Ethernet
- > Intelligent video capabilities

AXIS Q1755 is an outstanding HDTV camera, ideal for video surveillance systems where clear images and greater image detail are required. It is the perfect solution for securing areas where high quality identification is needed, such as airports, passport controls and casinos.

AXIS Q1755 Network Camera delivers HDTV performance in compliance with the SMPTE standard for installations that demand the highest resolution, perfect focus, good color representation and full frame rate. It delivers HDTV 1080i or 720p resolution, 16:9 aspect ratio and supports both H.264 and Motion JPEG in full frame rate.

AXIS Q1755 has 10x optical zoom, 12x digital zoom and autofocus and can provide the desired field of view immediately, in perfect focus.

The camera has a built-in slot for an SDHC card, enabling local storage of several days of recordings, without any external equipment.

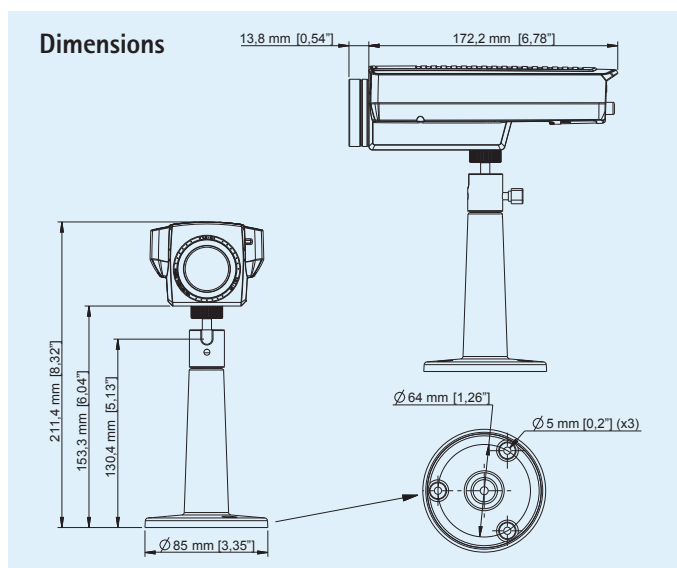
Power over Ethernet (IEEE 802.3af) supplies power to the camera via the network, eliminating the need for power cables and reducing installation costs.

AXIS Q1755 offers intelligent capabilities such as enhanced video motion detection, audio detection, and alarm notification at tampering attempts such as blocking or spray-painting the camera. AXIS Q1755 also incorporates the Gatekeeper functionality which automatically zooms in when there is activity in the scene, and then zooms out after a preset time interval.



Technical Specifications – AXIS Q1755 Network Camera

Camera		Network	
Models	AXIS Q1755 50Hz AXIS Q1755 60Hz	Security	Password protection, IP address filtering, HTTPS encryption, IEEE 802.1X network access control, digest authentication, user access log
Image sensor	1/3" Progressive scan CMOS 2 Megapixel	Supported protocols	IPv4/v6, HTTP, HTTPS, QoS Layer 3 DiffServ, FTP, SMTP, Bonjour, UPnP, SNMPv1/v2c/v3(MIB-II), DNS, DynDNS, NTP, RTSP, RTP, TCP, UDP, IGMP, RTCP, ICMP, DHCP, ARP, SOCKS, Pelco-D
Lens	f 5.1 - 51 mm, F1.8 - 2.1 Auto day/night IR filter, autofocus Near focus limit 10mm (wide) or 800mm (tele) Angle of view, horizontal: 5.4° - 50° M37x0.75 mounting thread for optional lens adaptor	System integration	
Minimum illumination	Color: 2 lux at 30IRE, F1.8 B/W: 0.2 lux at 30IRE, F1.8	Application Programming Interface	Open API for software integration, including VAPIX® from Axis Communications available at www.axis.com
Shutter time	1/10000 s to 1/2 s	Intelligent video	Video motion detection, active tampering alarm, audio detection, Gatekeeper
Zoom	10x optical and 12x digital, total 120x	Alarm triggers	Intelligent video, temperature and external input
Video		Alarm events	File upload via FTP, HTTP and email Notification via email, HTTP and TCP External output activation
Video compression	H.264 (MPEG-4 Part 10/AVC) Motion JPEG	Video buffer	96 MB pre- and post alarm
Resolutions	HDTV 1080i 1920x1080 HDTV 720p 1280x720 Standard NTSC/PAL for installation	General	
Frame rate H.264	30/25 fps in all resolutions	Processor and memory	ARTPEC-3, 256 MB RAM, 128 MB Flash
Frame rate Motion JPEG	30/25 fps in all resolutions	Power	8 - 20 V DC max 11,2 W 20 - 24 V AC max 17,4 VA Power over Ethernet IEEE 802.3af Class 3 Power supply not included
Video streaming	Multi-stream H.264 and Motion JPEG: simultaneous, individually configured streams in max. resolution at 25/30 fps Controllable frame rate and bandwidth VBR/CBR H.264	Connectors	RJ-45 10BASE-T/100BASE-TX PoE, terminal block for power, I/O terminal block for two configurable inputs/outputs 3.5 mm mic/line in, 3.5 mm line out RS-422/RS-485 Video out: 3x RCA Y/Pb/Pr (HD), 1x RCA Composite (SD)
Image settings	Compression, brightness, sharpness, white balance, exposure control, backlight compensation, rotation, mirroring of images Text and image overlay Privacy mask	Local storage	SD/SDHC memory card slot (card is not included)
Audio		Operating conditions	0 - 45 °C (32 - 113 °F) Humidity 20-80% RH (non-condensing)
Audio streaming	Two-way, half duplex	Approvals	EN 55022 Class B, EN 61000-3-2, EN 61000-3-3, EN 55024, EN 61000-6-1, EN 61000-6-2, EN 60950-1, FCC Part 15, Subpart B, Class B, VCCI, Class B ITE, C-tick AS/NZS CISPR 22, ICES-003, Class B
Audio compression	AAC LC 8/16 kHz G.711 PCM 8 kHz G.726 ADPCM 8 kHz Configurable bit rate	Weight	985 g (2.17 lb)
Audio input/output	Built-in microphone, external microphone or line input, line output	Included accessories	Connector kits, Installation Guide, CD with installation tools, recording software and User's Manual, Windows decoder 1-user license



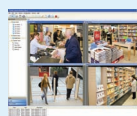
More information is available at www.axis.com

Optional accessories

Various housings



AXIS T90A Illuminators



For information on AXIS Camera Station and video management software from Axis' Application Development Partners, see www.axis.com/products/video/software/